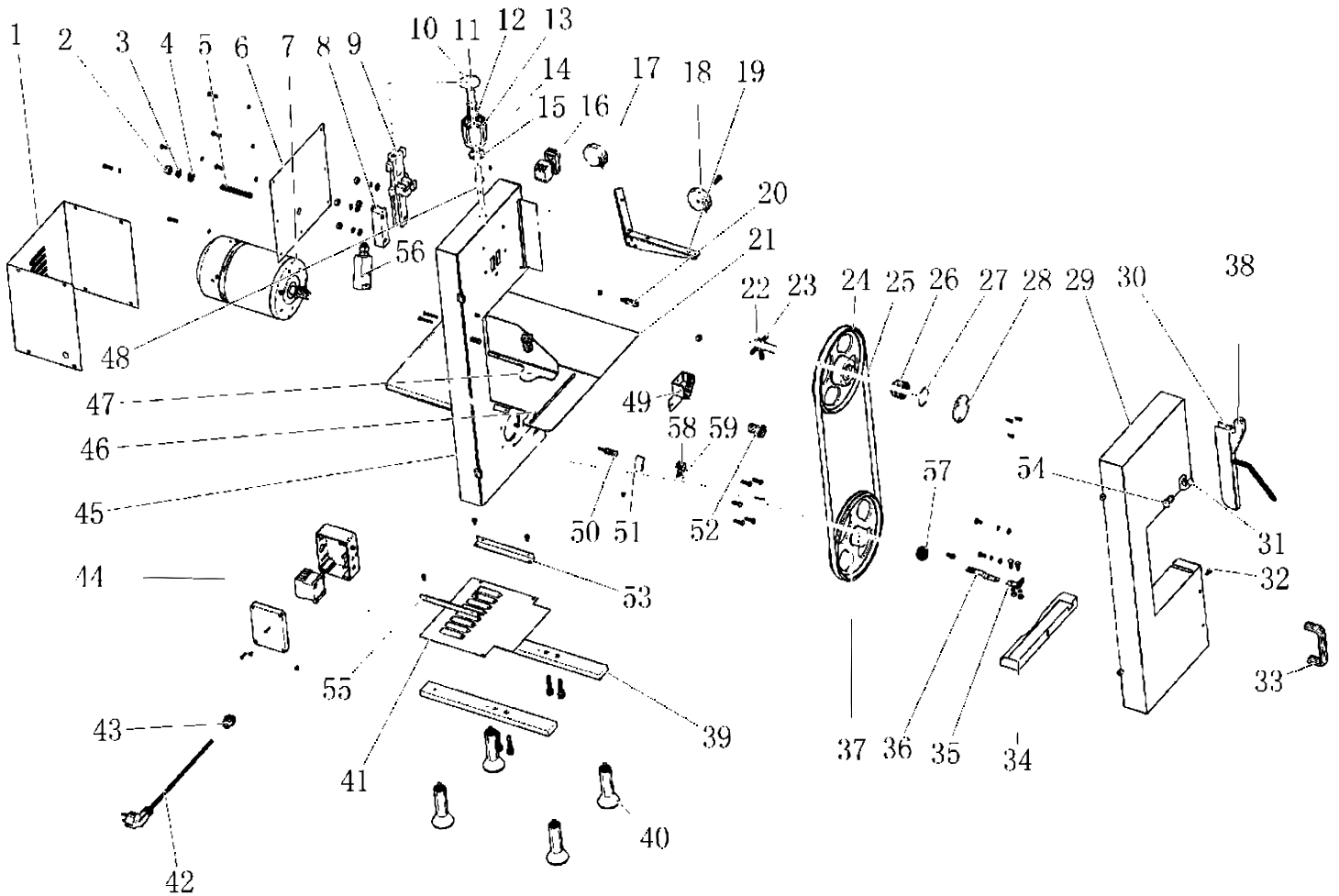


Parts Breakdown

Model **BS-CN-1651-T** 46785



Parts Breakdown

Model BS-CN-1651-T 46785

Item No.	Description	Position	Item No.	Description	Position	Item No.	Description	Position
AF326	Cover for Motor for 46785	1	AF346	Table for 46785	21	AF366	Bottom for 46785	41
AF327	Cap Nut for 46785	2	AF347	Axis for 46785	22	AF367	Wire and Cord for 46785	42
AF328	Flat Gasket for 46785	3	AF348	Small Axis for 46785	23	AF368	Line Card for 46785	43
AF329	Rubber Gasket (Jacket) for 46785	4	AF349	Wheel for 46785	24	AF369	Electric Box (Include Contactor) for 46785	44
AF330	Pole for 46785	5	AF350	Saw for 46785	25	AF370	Body for 46785	45
AF331	Back Cover for 46785	6	AF351	Bearing for 46785	26	AF371	Length Plate for 46785	47
AF332	Motor for 46785	7	AF352	O Ring for 46785	27	AF372	Axis for Adjusting for 46785	48
AF333	Guide Plate for 46785	8	AF353	Gland for 46785	28	AF373	Supporting for Scraper for 46785	49
AF334	Adjusting Slider for 46785	9	AF354	Door for 46785	29	AF374	Seat for Scraper for 46785	50
AF335	Top Cover for 46785	10	AF355	Mouthpiece Board for 46785	30	AF375	Scraper for 46785	51
AF336	Locking Nut for 46785	11	AF356	Shaft Seat for 46785	31	AF376	Handle for 46785	52
AF337	Spring for 46785	12	AF357	Screw for 46785	32	AF377	Angle Iron for 46785	53
AF338	Adjusting Handle for 46785	13	AF358	New Knob for 46785	33	AF378	Turning Axis for 46785	54
AF339	Steel Ball for 46785	14	AF359	Case for Roumo for 46785	34	AF379	Angle Iron for 46785	55
AF340	End Cover for 46785	15	AF360	Supporting Plate for 46785	35	AF380	Microswitch for 46785	56
AF341	Switch for 46785	16	AF361	Locking Board for Switch for 46785	36	AF381	Shaft Collar for 46785	57
AF342	Shaft Ring for 46785	17	AF362	Wheel for 46785	37	AF382	Stand for Scraper for 46785	58
AF343	Knob for 46785	18	AF363	Mouthpiece Board for 46785	38	AF383	Scraper for 46785	59
AF344	Channel Iron for 46785	19	AF364	Backplane for 46785	39			
AF345	Guide Shaft for 46785	20	AF365	Leg for 46785	40			